



Features

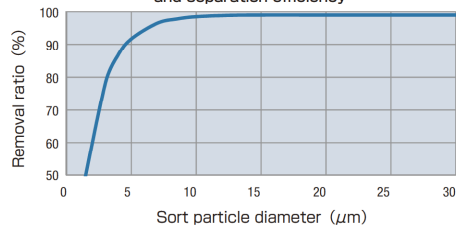
- ❶ Removes particles at high efficiency.
- ❷ Removes particles and harmful gases at the same time.
- ❸ The mist catcher is washable.

Examples of removal ratio

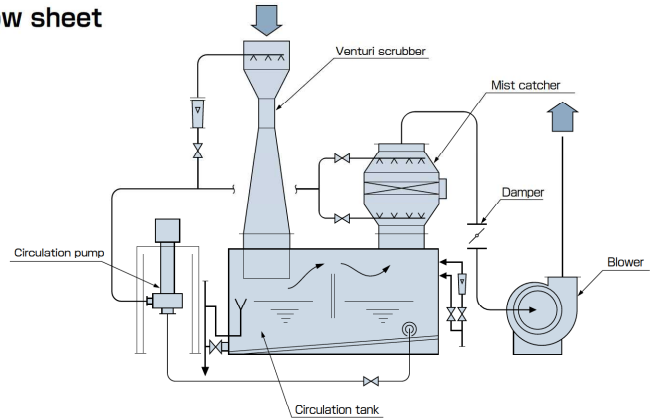
User	Company A	Company B	Company C
Sort particle concentration at inlet	0.448g/Nm ³	0.311g/Nm ³	0.034g/Nm ³
Sort particle concentration at outlet	0.004g/Nm ³	0.002g/Nm ³	Less than 0.001 g/Nm ³
Removal ratio	99.1%	99.4%	97% or more

Estimated relationship between the sort particle diameter and separation efficiency

[Reference] Sort particle diameter (specific weight = 1.0) and separation efficiency

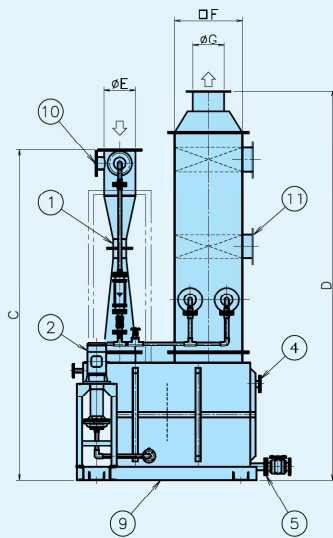
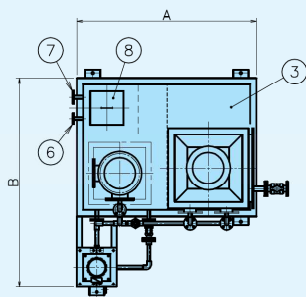


Flow sheet



VSCtype (Venturi scrubber)

■ Dimensions



■ Dimensions (unit: mm)

Model	A	B	C	D	φE	φF	φG
VSC-20	1570	1800	2650	3335	200	500	200
VSC-30	1570	1800	3225	3335	250	500	250
VSC-40	1620	2000	3013	3335	250	500	250
VSC-60	1720	2000	3588	3335	300	650	300
VSC-80	2120	2000	3950	3335	350	750	350
VSC-100	2320	2000	4300	3535	400	850	400
VSC-120	2420	2100	4925	3535	450	850	450
VSC-150	2520	2200	5550	3535	500	1050	500
VSC-180	2620	2300	5700	3535	550	1050	550
VSC-220	2820	2500	6375	3635	600	1200	600
VSC-270	2920	2800	6525	3635	650	1350	650
VSC-300	3120	2920	7150	3635	700	1450	700

■ Table of materials

No.	Part name	Material	Quantity	Remarks
1	Main unit	FRP	1	
2	Circulation pump	PP	1	
3	Circulation tank	FRP	1	
4	Overflow fitting	FRP	1	50A JIS10kF
5	Drain fitting	FRP	1	50A with PVC valve
6	Ball tap at the water inlet	FRP	1	20A JIS10kF
7	Water inlet	FRP	1	25A JIS10kF
8	Circulation tank inspection door	FRP	1	
9	Common base	SS400	1	Hot-dip galvanized
10	Sprinkler pipe inspection door	FRP	1	
11	Mist catcher removal door	FRP	2	