

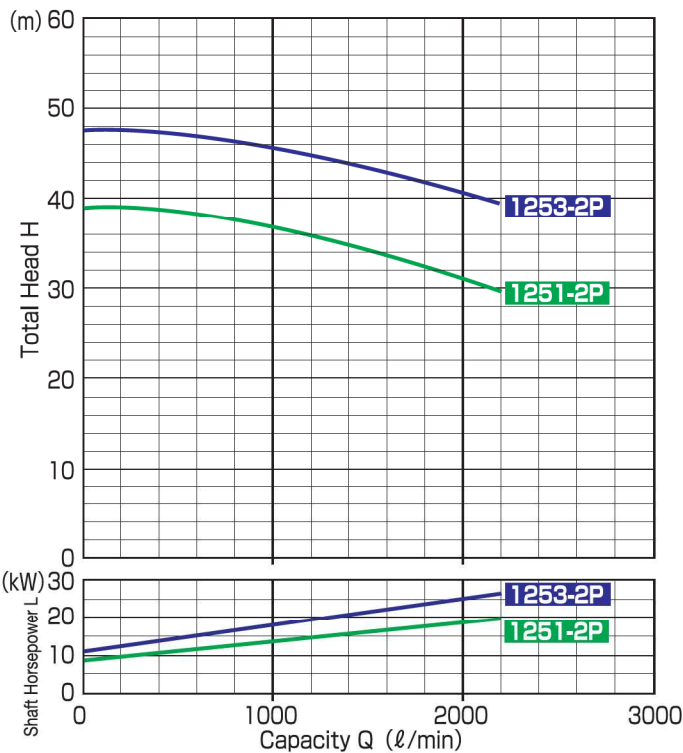
MTA-125 Series (Suction 125A × Discharge 100A)



Pump Specifications

- Operating Temperature -20~100°C (Please consult us about 0°C below when used)
- Rotation Direction Clockwise (viewed from the motor)
- Flange JIS 10K RF (Please consult us about ANSI/DIN standard.)
- Finish Paint Munsell 2.5B4/8(pump body)
- Motor IEC flanged induction motor
- Accessories Base & Foundation bolts (M16×200L×63b)

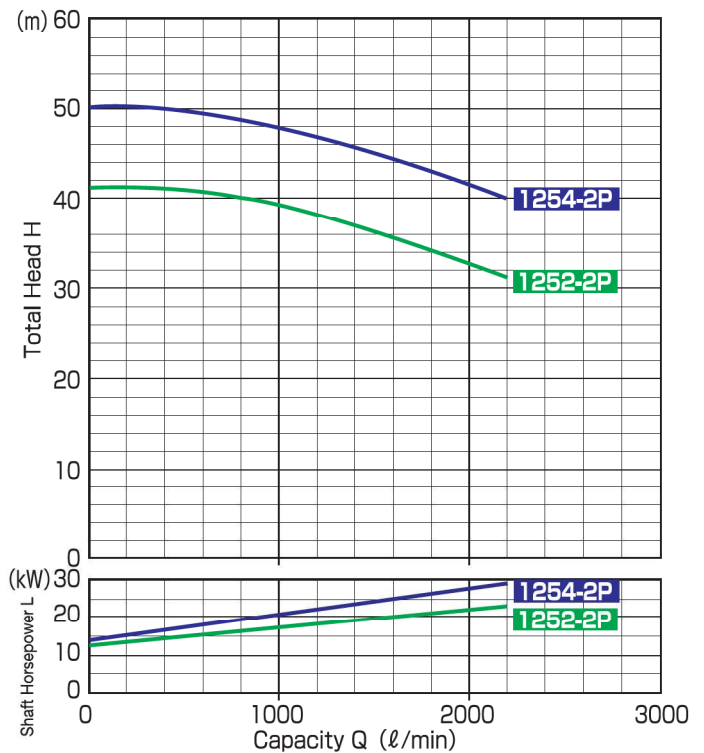
50Hz Performance Curve & Technical Data



Model	Capacity (ℓ/min)	Total Head (m)	NPSH Re (m)	Motor Output (kW)
MTA-1251-2P	2000	30	4.4	11~45
MTA-1253-2P		40		

Note: NPSH Re value shown in the table is that obtained from the maximum suction pipe diameter.

60Hz Performance Curve & Technical Data



Model	Capacity (ℓ/min)	Total Head (m)	NPSH Re (m)	Motor Output (kW)
MTA-1252-2P	2000	30	4.4	11~45
MTA-1254-2P		40		

Note: NPSH Re value shown in the table is that obtained from the maximum suction pipe diameter.

Pump Identification

MTA-125 1 P 15 FA LZ

① ② ③ ④ ⑤ ⑥ ⑦ ⑧ ⑨

- ① Model
- ② Suction Pipe Size
- ③ Model Number Please refer to Performance Curve
- ④ Gasket Material P : PTFE (Jacketed)
- ⑤ Motor Output 15:11kW 20:15kW 25:18.5kW
30:22kW 40:30kW 50:37kW 60:45kW
- ⑥ Pump Body Material

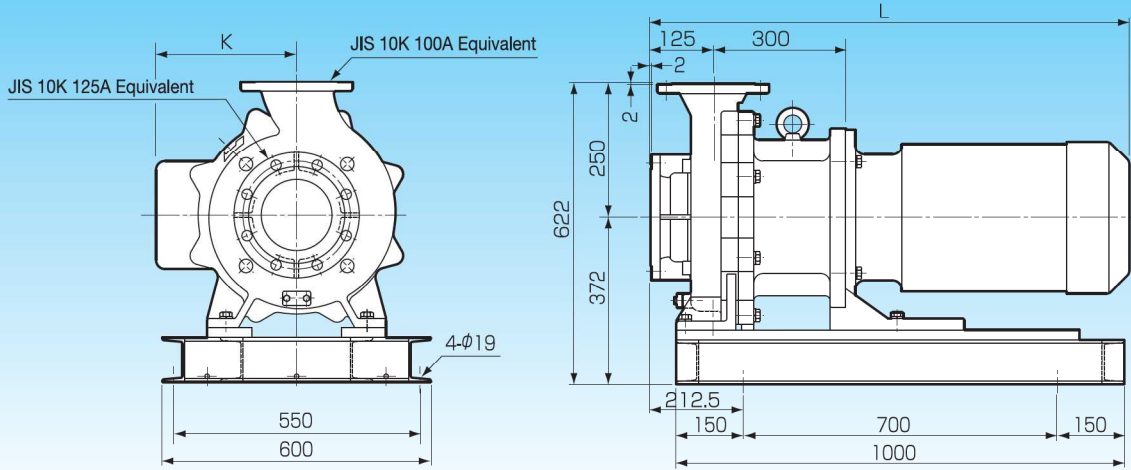
Type	Casing	Impeller+Inner Magnet	Rear Casing
F		PFA	PFA+Eng.Plastic

Parts Material Combination

Type	Shaft	Front & Rear Thrust Rings	Mouth Ring & Bearing
A		Alumina-ceramic	C-PTFE
B		SiC	
C		SiC	Carbon
E		SiC	C-PTFE
F		Alumina-ceramic	Carbon
G		Alumina-ceramic	G-PTFE
H		SiC	G-PTFE
Z		Other Combinations or Special Option	

- ③ Construction Identification "L" is shown for long couplings only.
- ⑨ Custom Specifications "Z" is shown when non-standard parts are used.

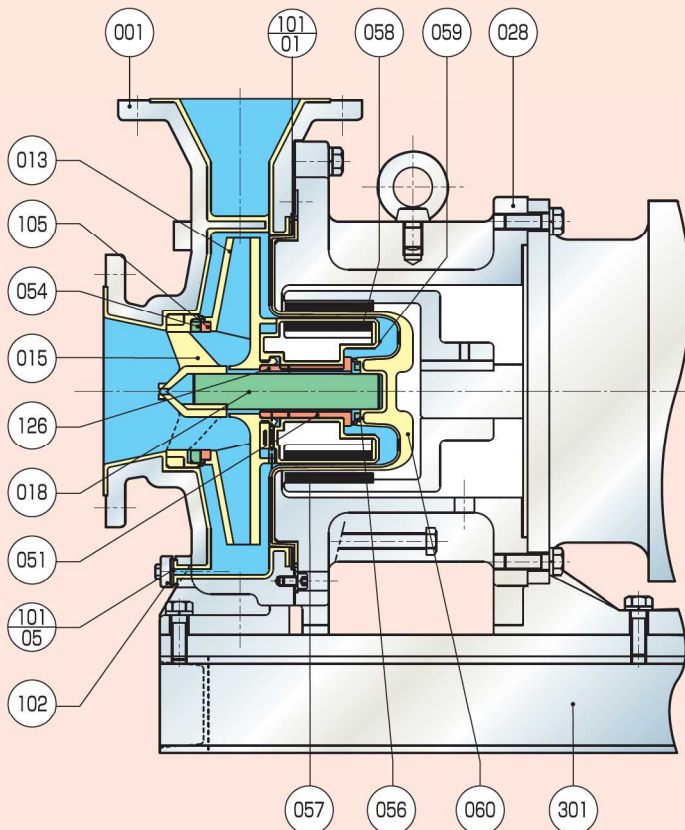
Dimensions



Motor Output (kW)	K	L	Weight (kg)
11~45	(314)	(1068.5)	(255)

- Note: ① The weight of pump does not include the motor weight.
 ② The dimensions shown above are applicable when a totally-enclosed fan-cooled motor is used.
 When using special motors (such as explosion-proof motors), please contact us.
 ③ The figures in parentheses are reference values.

Construction Diagram



No.	Part Name	Materials
001	Casing	FCD450+PFA
013	Impeller	PFA
015	Shaft Support	PFA
018	Shaft	Alumina-ceramic / SiC
028	Bracket	FC200
051	Bearing	C-PTFE/G-PTFE/SiC/Carbon
054	Front Thrust Ring	Alumina-ceramic / SiC
056	Rear Thrust Ring	Alumina-ceramic / SiC
057	Outer Magnet	Rare Earth
058	Inner Magnet	Rare Earth
059	Magnet Lining	PFA
060	Rear Casing	PFA(Wetted Parts)
101-01	Casing Gasket	PTFE(Jacketed)
101-05	Drain Gasket	PTFE(Jacketed)
102	Drain Flange	FC200
105	Mouth Ring	C-PTFE/G-PTFE/SiC/Carbon
126	Impeller Set Ring	PTFE
301	Base	SS400

Note: Inner Magnet (058) and Magnet Lining (059) are integrated and engaged with Impeller (013).